

Industrial Cylinder Heated Drying Ironers

I 33



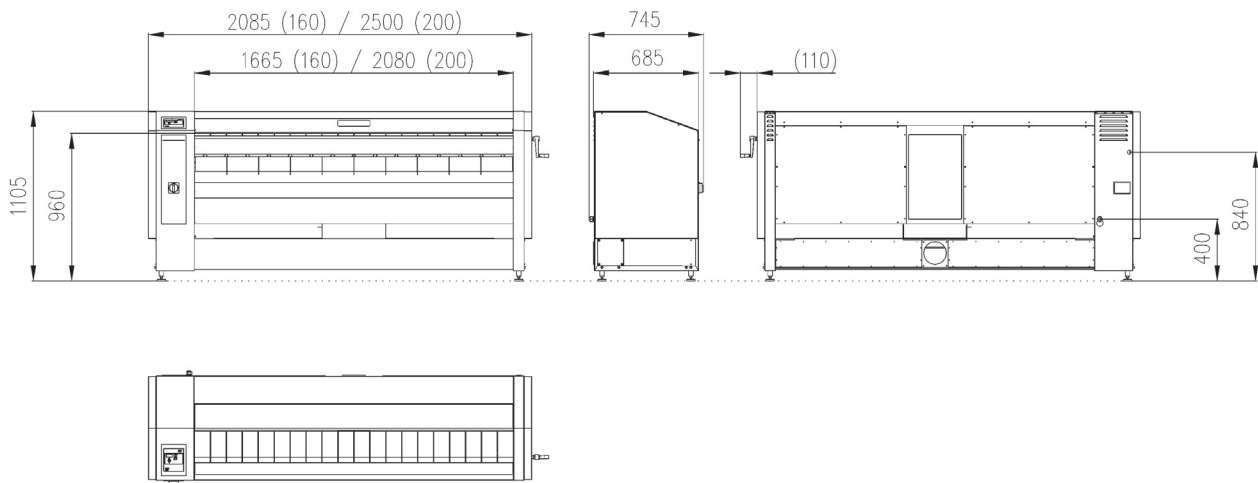
FEATURES

- Large surface contact with linen over an angle of 300°
- Chrome-plated cylinder for a better thermal conduction
- Emergency button and Main switch in one
- Finger protection for even more safety
- Durable NOMEX ironing belts
- Extra heavy press roller for high quality of ironing
- Direct drive system – maintenance free system
- Automatic cooldown
- Easy to operate microprocessor
- Indication of ironing speed and temperature
- Frequency controlled motor
- Metal Fibre premix burner (for Gas version)
- Central suction system with maintenance free operation - no lint filters needed
- Space saving installation against the wall is possible: front return
- Exhaust outlet can be easily switched from back either to right or to left side of the machine
- Electric or gas heating

OPTIONS

- Coin operated version
- Central payment system (CPS) operated version

| TYPE | | I 33 – 160 E | I 33 – 200 E | I 33 – 160 G | I 33 – 200 G |
|---|--------|--|---------------|--|---------------|
| ROLLER DIAMETER | mm | 320 | 320 | 320 | 320 |
| TYPE OF CYLINDER | | Black steel + Cr surface | | | |
| USEFUL ROLLER LENGHT | mm | 1664 | 2080 | 1664 | 2080 |
| HEATING | | | | | |
| Electric heating | kW | 13,5 - 24,4 | 15,5 - 27,9 | - | - |
| Gas rating | kW | - | - | 16,0 - 24,0 | 20,0 - 30,0 |
| HEATING SYSTEM | | Conventional, 2 steps PD governing | | Premix burner, continous PID governing | |
| MOTOR | | | | | |
| Roller motor | kW | 0,18 | 0,18 | 0,18 | 0,18 |
| Fan motor | kW (*) | 0,095 / 0,125 | 0,095 / 0,125 | 0,095 / 0,125 | 0,095 / 0,125 |
| Type of gas | | G20, G25, G30, G31, max 60 mbar | | | |
| ROLLER SPEED | m/min. | 1.0 – 6.0 (8 fix speed's steps> 1.0, 2.0, 2.5,3.0, 3,5, 4.0, 5.0, 6.0) | | | |
| ELECTRIC CONNECTION | | 208 – 240V 1AC 50/60Hz 208 – 240V 3AC 50/60Hz 380 – 415V + Neutral 3AC 50/60Hz | | | |
| DIMENSIONS | | | | | |
| HxWxD | mm | 1105x2195x745 | 1105x2610x745 | 1105x2195x745 | 1105x2610x745 |
| * - Statement is declared for 50 Hz / 60 Hz frequency | | | | | |



The company Primus preserves the right to change the machines and the specification in this leaflet at any time, without prior notice. Details and photographs are only for information and never binding.

www.primuslaundry.com

